

0125 SERIES



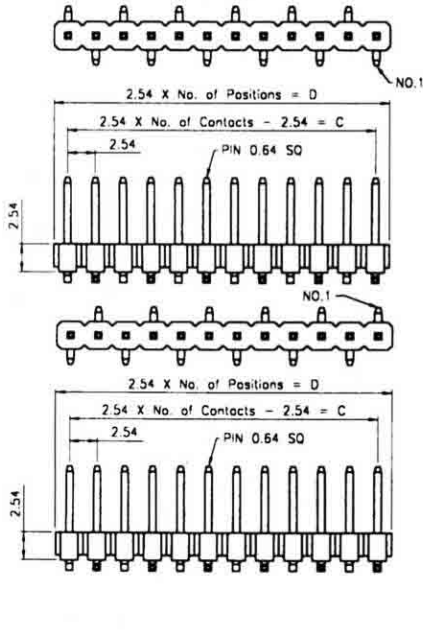
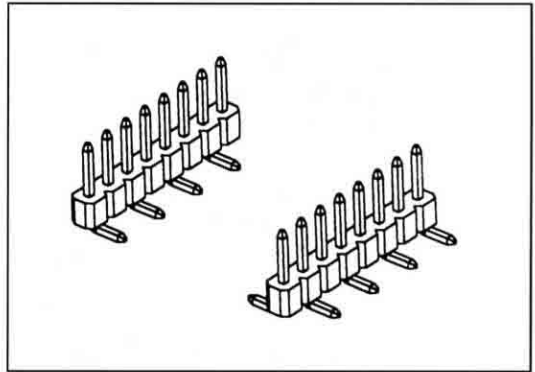
Pitch: 2.54mm(0.1"), Pin Header, Single Row, S.M.D

Specifications

Current Rating: 3 Amp
 Insulation Resistance: 500 MΩ Min.
 Dielectric Withstanding: 600 VAC
 Contact Resistance: 20 mΩ Max.
 Operating Temperature: -40°C to +105°C

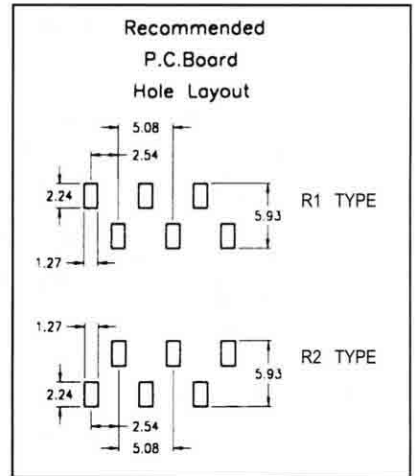
Materials

Contact Material: Copper Alloy
 Contact Plating: Gold/Tin over Nickel
 Insulator: Glass Filled Polyester



R1 TYPE

R2 TYPE



R1 TYPE

R2 TYPE

| No. of Pins/Row | Dimension Information | | No. of Pins/Row | Dimension Information | | No. of Pins/Row | Dimension Information | | No. of Pins/Row | Dimension Information | |
|-----------------|-----------------------|-------|-----------------|-----------------------|-------|-----------------|-----------------------|-------|-----------------|-----------------------|--------|
| | C | D | | C | D | | C | D | | C | D |
| 02 | 2.54 | 5.08 | 13 | 30.48 | 33.02 | 24 | 58.42 | 60.96 | 35 | 86.36 | 88.90 |
| 03 | 5.08 | 7.62 | 14 | 33.02 | 35.56 | 25 | 60.96 | 63.50 | 36 | 88.90 | 91.44 |
| 04 | 7.62 | 10.16 | 15 | 35.56 | 38.10 | 26 | 63.50 | 66.04 | 37 | 91.44 | 93.98 |
| 05 | 10.16 | 12.70 | 16 | 38.10 | 40.64 | 27 | 66.04 | 68.58 | 38 | 93.98 | 96.52 |
| 06 | 12.70 | 15.24 | 17 | 40.64 | 43.18 | 28 | 68.58 | 71.12 | 39 | 96.52 | 99.06 |
| 07 | 15.24 | 17.78 | 18 | 43.18 | 45.72 | 29 | 71.12 | 73.66 | 40 | 99.06 | 101.60 |
| 08 | 17.78 | 20.32 | 19 | 45.72 | 48.26 | 30 | 73.66 | 76.20 | | | |
| 09 | 20.32 | 22.86 | 20 | 48.26 | 50.80 | 31 | 76.20 | 78.74 | | | |
| 10 | 22.86 | 25.40 | 21 | 50.80 | 53.34 | 32 | 78.74 | 81.28 | | | |
| 11 | 25.40 | 27.94 | 22 | 53.34 | 55.88 | 33 | 81.28 | 83.82 | | | |
| 12 | 27.94 | 30.48 | 23 | 55.88 | 58.42 | 34 | 83.82 | 86.36 | | | |

Ordering Information

0125 - 2 9 6 - X X 0

2: Gold

Position